

READ AND SAVE THESE INSTRUCTIONS



INSTALLATION AND OPERATING INSTRUCTIONS

FOR
MICROSHELF HOOD
MODEL RJH 3330-1

Before you begin, read the following instructions completely and carefully. If followed, they will simplify the installation job.

IMPORTANT: OBSERVE ALL GOVERNING CODES AND ORDINANCES

SAVE THESE INSTRUCTIONS FOR THE LOCAL ELECTRICAL INSPECTOR'S USE

BEFORE YOU USE YOUR MICROSHELF HOOD:

Be sure your Microshelf Hood is installed on an appropriate wall strong enough to support this appliance.

NOTE: The shelf of the Microshelf Hood is designed to support a Microwave Oven with a net weight of up to 75 pounds.

The area used for the installation must be suitable for the size, function, and protection (from elements) of the Microshelf Hood.

CAUTION: When mounting the Microshelf Hood to a wall, you must locate 2 studs in the wall. Do not attempt to install the hood if the 2 wall studs are not found.

Be careful when drilling holes into a wall. Electrical wires and water pipes may be concealed behind the wall covering.

APPROVED FOR USE WITH WHIRLPOOL RJM AND RHM SERIES AND THE RFM 7300-1 MICROWAVE OVENS.

APPROVED FOR USE OVER WHIRLPOOL CONVENTIONAL RANGE COOKTOPS THAT DO NOT HAVE A GRILLE.

NOTE: The fan in the Microshelf Hood turns on automatically to protect the microwave oven when the temperature inside the hood reaches 122°F (50°C). It turns off automatically when the temperature falls below 95°F (35°C).

I. INSTALLATION REQUIREMENTS

A. Space Requirements

A typical installation can be seen in Figure 1. Study Figure 1 before proceeding. The Microshelf Hood requires an opening that is 30" wide. It is recommended that the cabinet above the cooktop be a maximum of 15" high. This provides adequate space between the range cooktop and the Microshelf Hood.

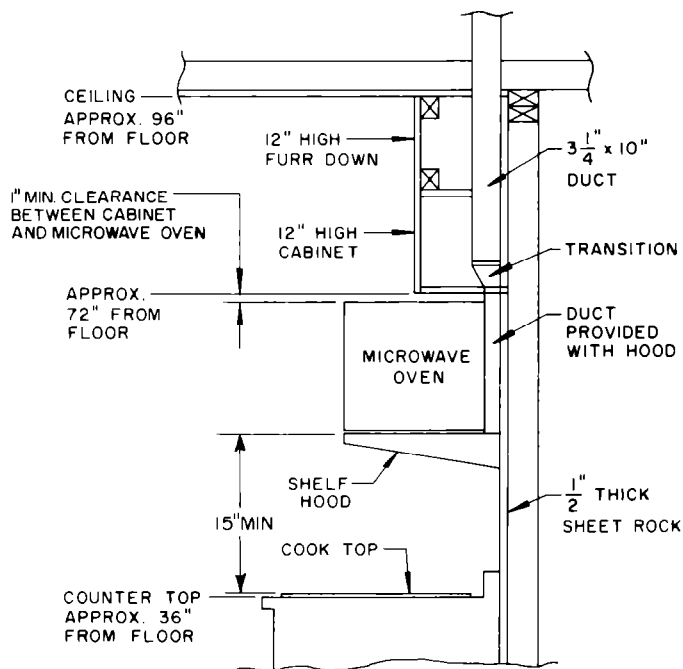


Figure 1

B. Electrical Requirements

A 120 Volt, 60 Hz, AC only, 20 Ampere fused electrical supply is required (time delay fuse or circuit breaker is recommended). It is recommended that a separate circuit serving only this appliance be provided.

C. Venting Requirements

For vented installations, the venting system must terminate to the outside.

CAUTION: Do not terminate the vent in an attic or other enclosed space. This type of installation may result in a fire.

If a vertical venting system is used, using 3 1/4" x 10" duct, the maximum length allowed is 25 feet. If elbows are used in the venting system, reduce the length of 3 1/4" by 10" duct by 24 feet for each elbow used.

The Microshelf Hood may be centered horizontally as shown in Figure 2. The maximum length of duct run horizontally, using one 3 1/4" x 10" elbow, is one foot.

11/2

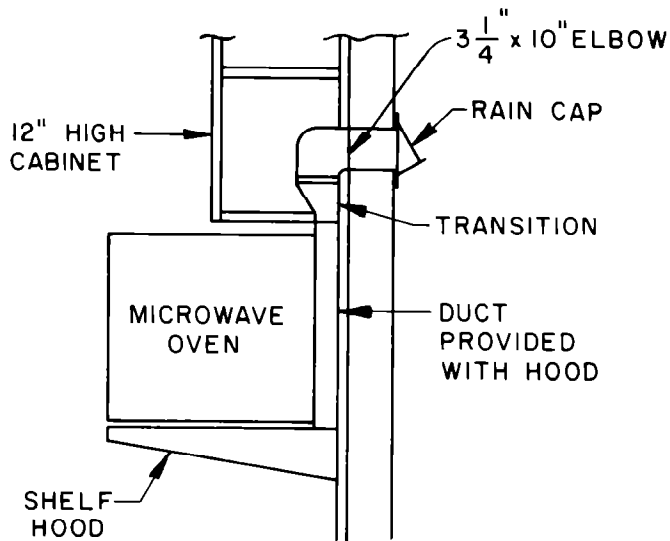


Figure 2

II. VENTED INSTALLATION

For ventless installation, Kit RCH3630 must be installed.

A. Assembling and Installing to Wall

1. Select the area for installation, making sure you have an electrical supply available. See the shaded area in Figure 3. This is the area the electrical supply must enter.

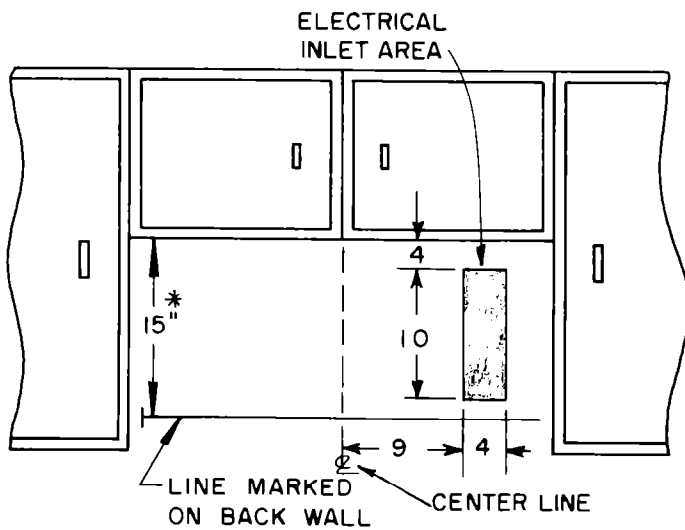


Figure 3

*When installing the Microshelf Hood in a ventless installation, this dimension is 16 $\frac{3}{4}$ ". See the instructions with the ventless kit (RCH3630) for details.

CAUTION: Due to the amount of weight the Microshelf Hood must support, you must make sure the Microshelf Hood is mounted to 2 vertical wall studs and into the wall covering which must be at least $\frac{1}{2}$ " thick sheet rock, with 4 wall anchor bolts.

2. If the Microshelf Hood is mounted to a wall that does not meet the above recommendations, the weight of the microwave oven may cause the Microshelf Hood to pull away from the wall resulting in personal injury or property damage.

NOTE: If the Microshelf Hood is to be installed above a freestanding range, disconnect the power from the range and move the range out of the opening in the cabinets. This will allow for more access to the installation area.

If installing the Microshelf Hood above a built-in cooktop or set-in range, lay a protective cover over the cooktop during the installation. This may help prevent damage to the cooktop (in case you drop something) and it will prevent dust and dirt from accumulating on the cooktop during installation.

3. Mark a line on the back wall 15" down from the upper cabinets 30" long centered between the side cabinets or allotted space. See Figure 3.

4. Locate the 2 wall studs in the area you have selected for mounting the microwave oven. **IF YOU DO NOT KNOW HOW TO LOCATE A WALL STUD, CONSULT A LOCAL BUILDING CONTRACTOR FOR HELP.**

NOTE: If 2 studs are not located on the line drawn in Figure 3, **DO NOT** attempt to install the shelf hood.

5. Line the top of the hanging bracket up with the line drawn on the wall in Figure 3. Move the bracket to the left or right within the allotted 30" space until the center line of the 2 studs line up with 4 holes in the hanging bracket. Neither edge of the bracket should be closer than $\frac{1}{2}$ " to the side cabinets or the end of the 30" allotted space. (See Figure 4).

6. Mark and drill four $\frac{3}{16}$ dia. pilot holes in the studs for the $\frac{1}{4}$ " dia. x 2" long lag bolts provided.

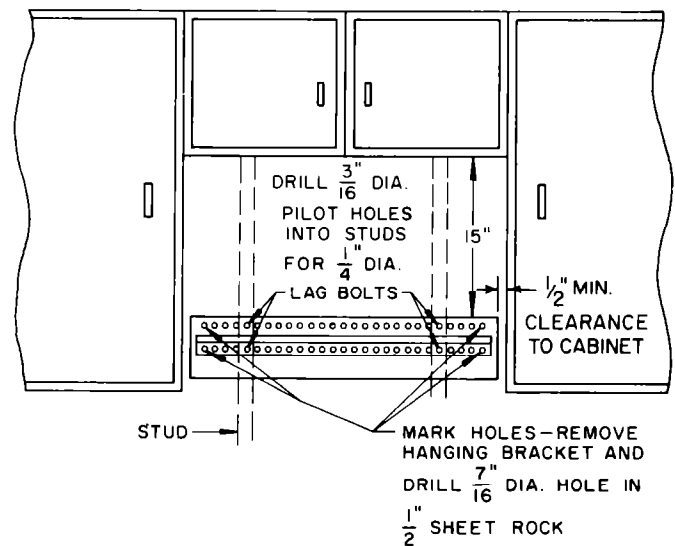


Figure 4

7. Mark 2 holes on each end of the hanging bracket. Remove bracket and drill four $\frac{7}{16}$ " dia. holes.

8. Insert four hollow wall anchor bolts into the four $\frac{7}{16}$ " dia. holes in the sheet rock. Anchor bolts are provided in installation pack. Rotate anchor bolts screws 5-10 revolutions to hold each anchor bolt in place. These will be completely tightened later. (See Figure 5).

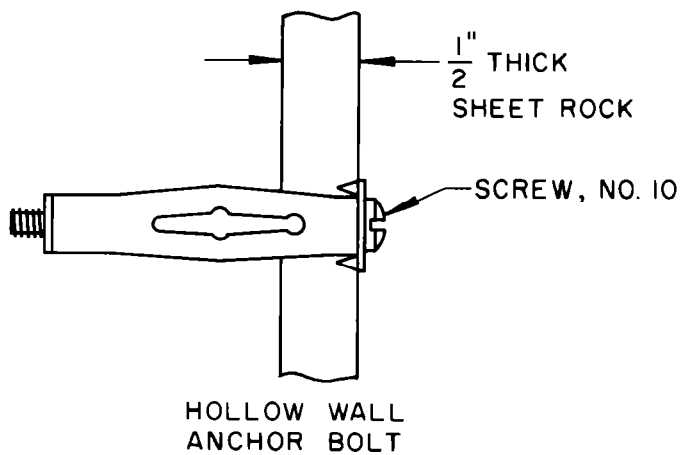


Figure 5

9. Remove all 4 screws from the anchor bolts.
10. Attach hanging bracket to the wall with the four screws taken from the anchor bolts. Tighten the screws in the anchor bolts until the anchor bolts are completely set.
11. Install four remaining 1/4" dia. lag bolts through the hanging bracket and into the two studs.

CAUTION: Do not overtighten the lag screws. If they are overtightened, the bracket may pull into the wall material which will not allow the shelf to slide into place properly.

12. The hole in the bottom of the cabinet (for the duct provided with the hood) should be cut as shown in Figure 6 (15 1/2" long by 1 3/4" deep). Hole must be cut to back wall. Make sure to center the hole within the 30" allotted space.

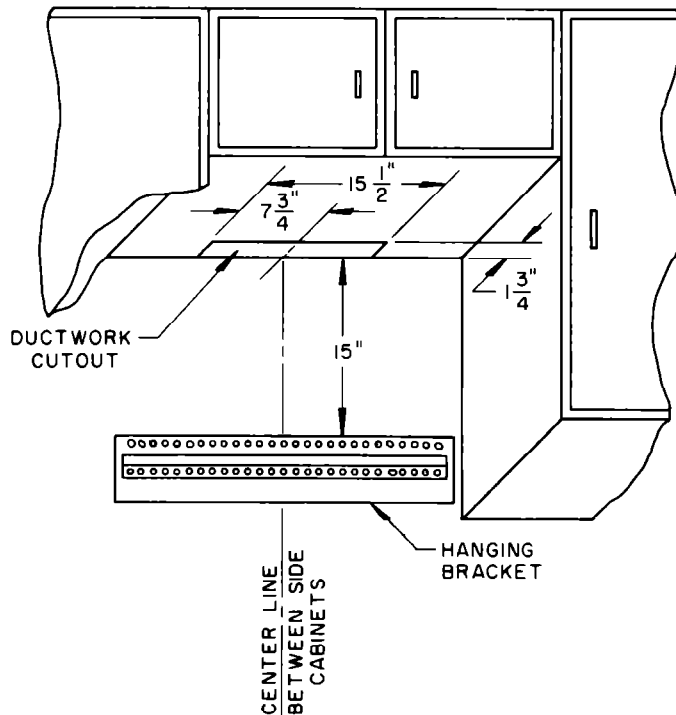


Figure 6

13. Rough wire the electrical supply to the area shown in Figure 3.

14. Hang the shelf hood on the hanging bracket. (See Figure 10). To be sure the shelf hood hanging angle is completely engaged in the hanging bracket, measure from the top of the shelf hood to the top of the hanging bracket. This distance should be 1-7/16" on both ends.

CAUTION: Do not continue until both ends measure 1-7/16". If the hanging angle is not fully engaged in the hanging bracket, the Microshelf Hood will not be level and the hood may become dislodged from the hanging bracket. This could cause damage.

15. Complete the duct work by:
 - A. Fit the duct provided with the Microshelf Hood on to the vent outlet of the Microshelf hood.
 - B. Mark and drill (2) 1/8" dia. holes (1 each side) to fasten the thin duct provided with the hood to the back wall. See Figure 7.
 - C. Use 2 #8 x 1/4" long screws provided with the unit to fasten the narrow thin duct to the shelf. See Figure 7.
 - D. Next install the transition adaptor to the thin duct. This transition adaptor will accept 3 1/4" x 10" duct.
 - E. Complete the 3 1/4" x 10" duct (or equivalent) to the outside using the guidelines listed under venting requirements.

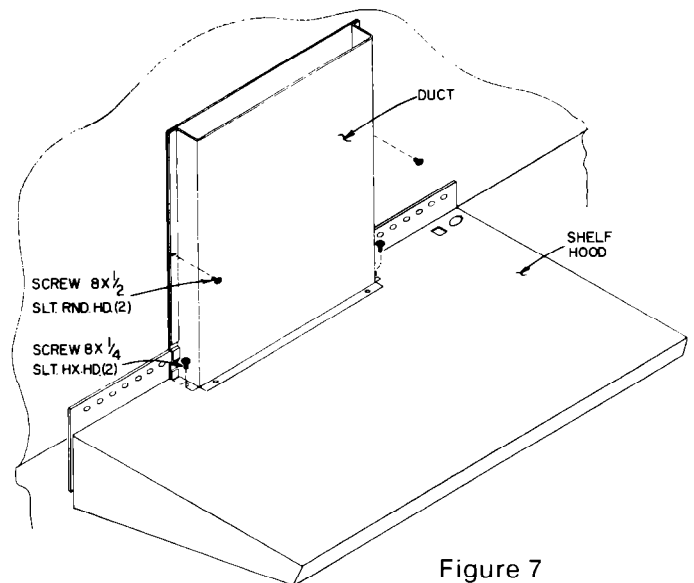


Figure 7

- B. Connect the electrical supply: It is the personal responsibility and obligation of the customer to contact a qualified installer to assure that the electrical installation is adequate and is in conformance with the National Electrical Code and local codes and ordinances.

1. Connect the appliance to the junction box through flexible armored or nonmetallic sheathed copper cable (with ground wire). A suitable strain relief must be provided at each end of the power supply cable (at appliance and at the junction box). See Figure 8.

2. This appliance is equipped with copper lead wires. If connection is made to aluminum house wiring, use only special connectors which are approved for joining copper and aluminum wires in accordance with the National Electrical Code and local codes and ordinances.

Electrical Ground is Required on This Appliance

Recommended

Electrical Connection and Grounding Method

This appliance must be permanently grounded in accordance with the National Electrical Code and local codes and ordinances.

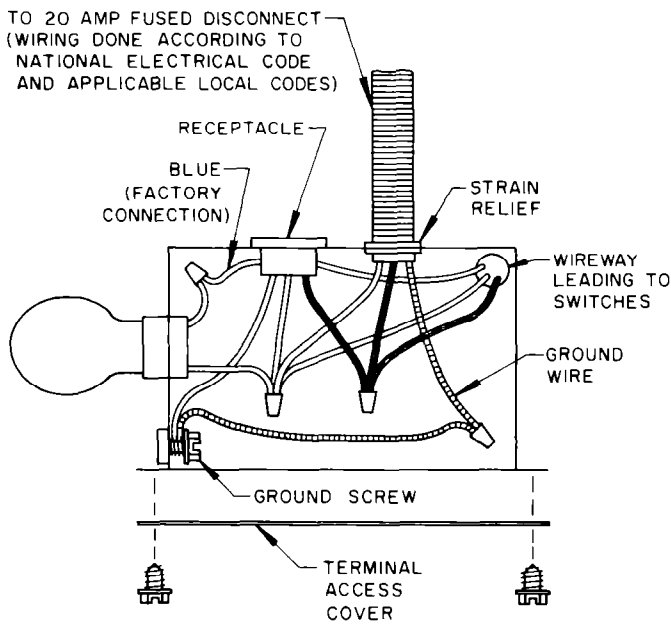


Figure 8

1. Remove the terminal access cover. See Fig. 8.
2. Install a strain relief into the opening of the wire junction box. See Figure 8.
3. Connect the white and black wires of the power supply cable to the white and black wire leads inside the terminal access box. See Figure 8.
4. Connect the green ground wire from the power supply cable to the end of the green ground wire provided in the terminal access box. See Figure 8.
5. Replace the terminal access cover.

Alternate Grounding Method

If the recommended grounding method is impossible, permanently ground the appliance from the green ground wire (located in the terminal access box) to a grounded cold water pipe* using a separate, green colored, insulated copper conductor of appropriate size (no. 16 minimum). THIS, HOWEVER, IS NOT RECOMMENDED. Do not ground to a gas supply pipe. Do not connect to electrical supply until appliance is permanently grounded.

*Cold water pipe must have metal continuity to electrical ground and not be interrupted by plastic, rubber or other electrically insulating connectors (including water meter or pump) without adding a jumper wire to these connections.

C. INSTALLING AND LEVELING THE MICROWAVE OVEN.

1. Remove the screw from the upper left hand side of the microwave oven. See Figure 9.
2. Screw the safety bracket to the back of the microwave with the screw removed in the previous step.

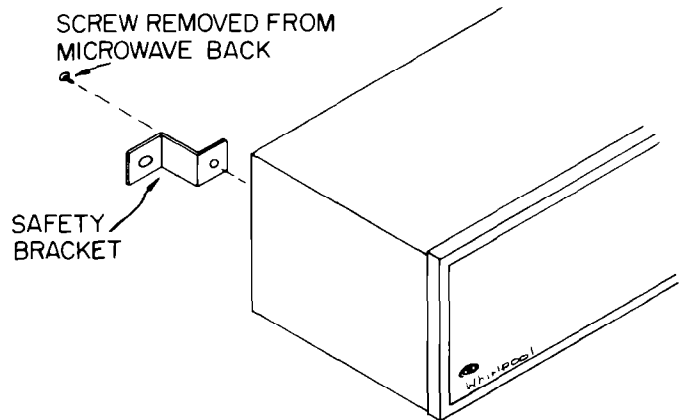


Figure 9

3. Place the empty hood carton the top of the cooktop. Test the shelf hood for strength. If the mounting seems secure, proceed to the next step.
4. **WARNING: THE WEIGHT OF THE MICROWAVE OVEN MAY EXCEED YOUR LIFTING ABILITY. WE RECOMMEND ASSISTANCE.**

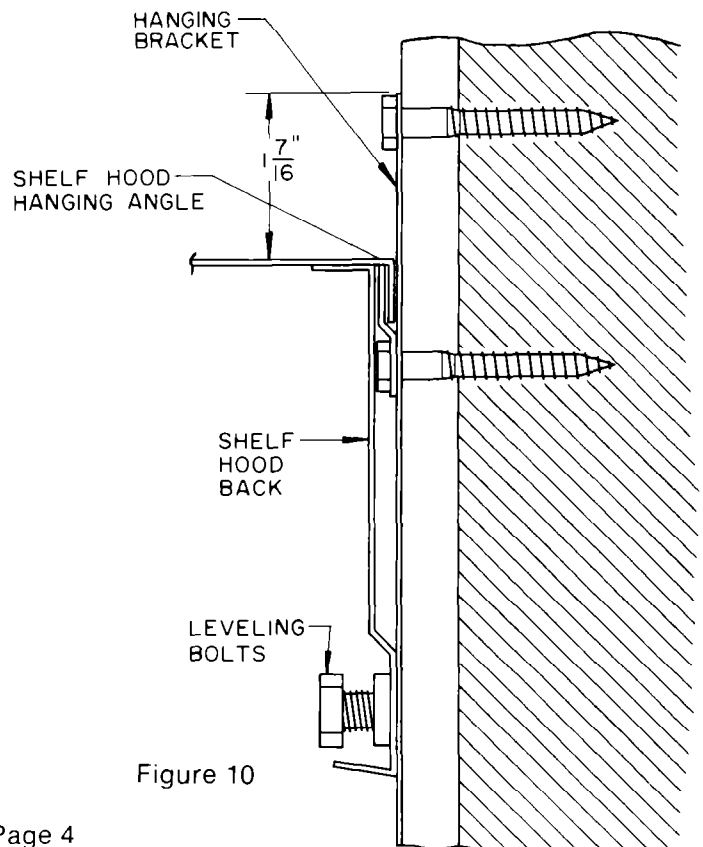


Figure 10

Place the microwave oven on the hood shelf on the right hand side of the hood aligning the front and right hand side of the microwave oven with the front and right hand side of the Microshelf Hood.

Use the leveling bolts provided to level shelf hood after weight of the appliance is placed on it. Bolts are provided in the installation package. Screw the bolts into the nuts provided on the lower left and right hand sides of the shelf hood until the unit is level. See Figure 10.

NOTE: The leveling bolts have a 9/16" hex head.

CAUTION: THE MICROWAVE OVEN MUST BE LEVEL FROM FRONT TO BACK TO MINIMIZE UTENSILS FROM SLIDING FORWARD WHEN OPENING THE DOOR.

5. Mark the safety bracket hole on the back wall through the center of the slotted hole in the bracket, so it can be attached to the rear wall.

WARNING: THE WEIGHT OF THE MICROWAVE MAY EXCEED YOUR LIFTING ABILITY. WE RECOMMEND ASSISTANCE.

6. Remove the microwave oven and drill a 3/16 dia. hole through the back wall in the location marked in step 5 above. If a solid wood stud is behind the wall covering, a 1/4" dia. lag bolt will be used to mount the safety bracket to the wall. If no solid stud is found in this location, drill a 7/16 inch dia. hole in the wall and insert a hollow wall expanding anchor bolt.

7. WARNING: THE WEIGHT OF THE MICROWAVE MAY EXCEED YOUR LIFTING ABILITY. WE RECOMMEND ASSISTANCE.

Place the microwave oven on the hood shelf on the left hand side. Plug the microwave oven into the outlet provided in the top of the shelf hood.

Slide the microwave oven to the right so the right hand side of the microwave oven is aligned with the right hand side of the hood shelf. Install the safety bracket using the safety bracket retaining screw. Before operating the microwave oven, make sure the oven cavity and magnetron area cooling vents will not be restricted.

8. Insert Glass Frame Assembly according to Figure 11.

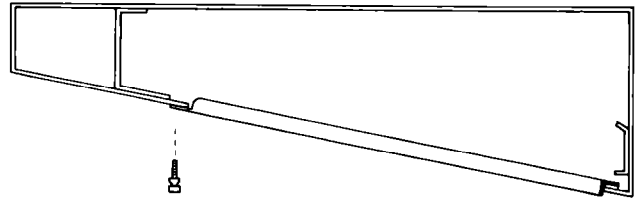


Figure 11

OPERATION AND CARE OF UNIT

CARE OF FILTERS:

A. ALUMINUM FILTER: For greatest efficiency, the permanent type aluminum filter should be removed and cleaned periodically.

TO CLEAN: The filter should be soaked in hot water and detergent, then thoroughly rinsed. The aluminum filter can be cleaned in a dishwasher.

CAUTION: Operate the hood only with the filter in place to prevent grease build up inside the hood.

LIGHTS:

Select two light bulbs up to 60 watts each to achieve desired lighting for cooking. The three position switch provides two levels of lighting.

CARE OF EXTERIOR SURFACES:

Clean with a mild detergent to preserve finish. DO NOT use abrasive cleaners.

Replacement filters and repair parts may be obtained from Whirlpool Corporation, Parts Distribution Center, LaPorte, Indiana 46350.

Whirlpool franchised TECH-CARE® service

If your WHIRLPOOL appliance ever needs service anywhere in the United States, help is just a phone call away. . .to your nearest TECH-CARE service representative.

Whirlpool maintains a nationwide network of franchised TECH-CARE service companies to fulfill your warranty and provide after-warranty service and maintenance to keep your WHIRLPOOL appliance in peak condition.

You'll find your nearest TECH-CARE service company listed in your local telephone book Yellow Pages under Washers/Dryers—Repairing or Servicing. Should you not find a listing, dial free, the Whirlpool COOL-LINE® service assistance telephone number (800)253-1301. When calling from:

- Michigan Dial (800) 632-2243
- Alaska & Hawaii Dial (800) 253-1121

If you move. . .

Call the TECH-CARE service representative in your local area. He'll see to the installation of WHIRLPOOL appliances in your new home, promptly, expertly and fairly priced to you.

Helpful hints. . .

You can help your TECH-CARE service representative give you faster service if you include the model and serial number of your appliance when requesting service. Also, retain your sales slip and warranty to verify your warranty status.

Remember. . .

Your TECH-CARE service representative is specially trained in the expert repairing and servicing of your WHIRLPOOL appliances. He can help you maintain the quality originally built into your WHIRLPOOL appliance. So why not take the time, now, to look up his telephone number and jot it down in the space provided below.

My TECH-CARE service representative's telephone number is:

Range hood model number:

Range hood serial number:

Purchase and/or installation date:



Benton Harbor, Michigan. Automatic Washers, Clothes Dryers, Freezers, Refrigerator-Freezers, Ice Makers, Dishwashers, Built-in Ovens and Surface Units, Ranges, Microwave Ovens, Food Waste Disposers, Compactors, Room Air Conditioners, Dehumidifiers, Central Heating and Air Conditioning Systems.